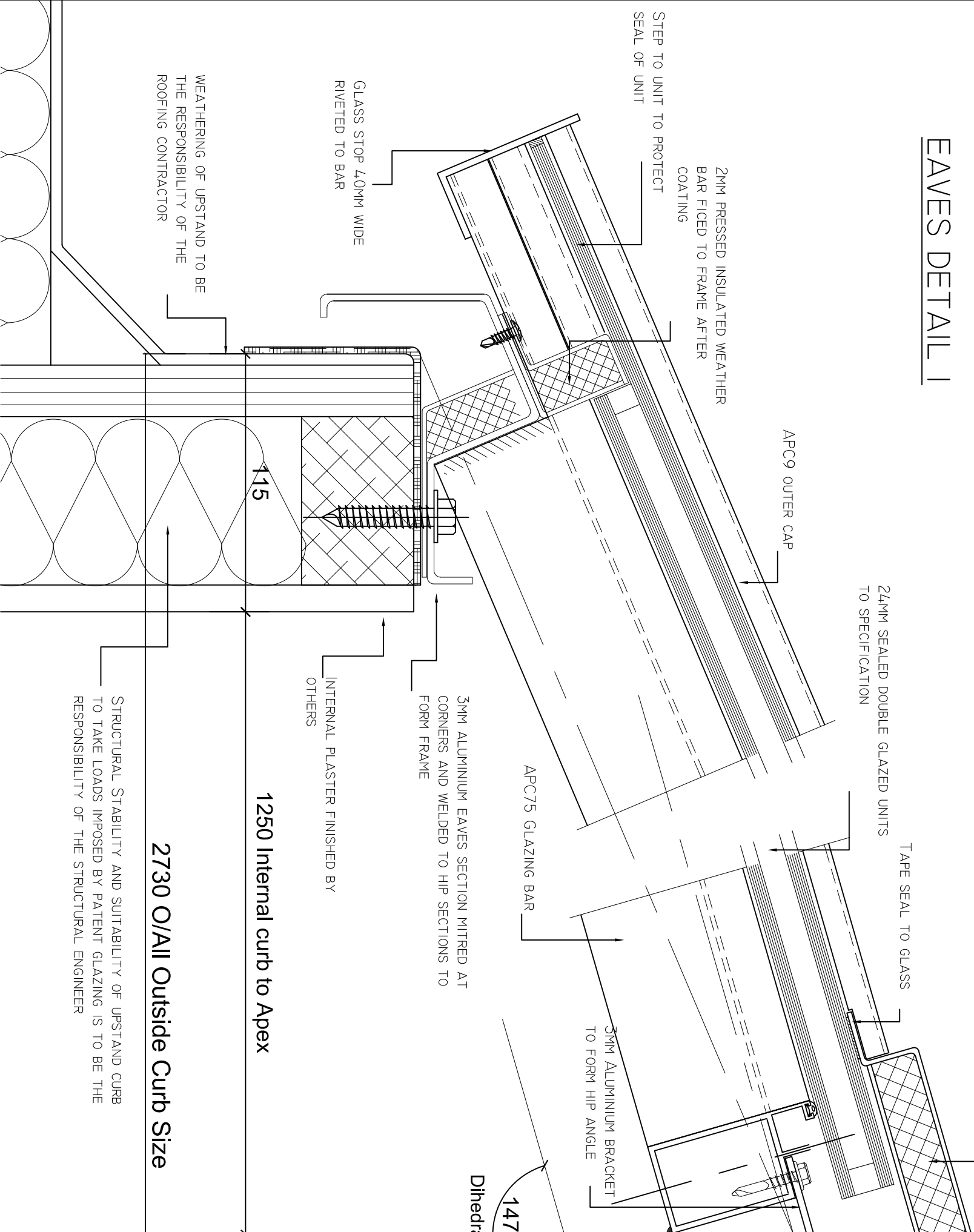
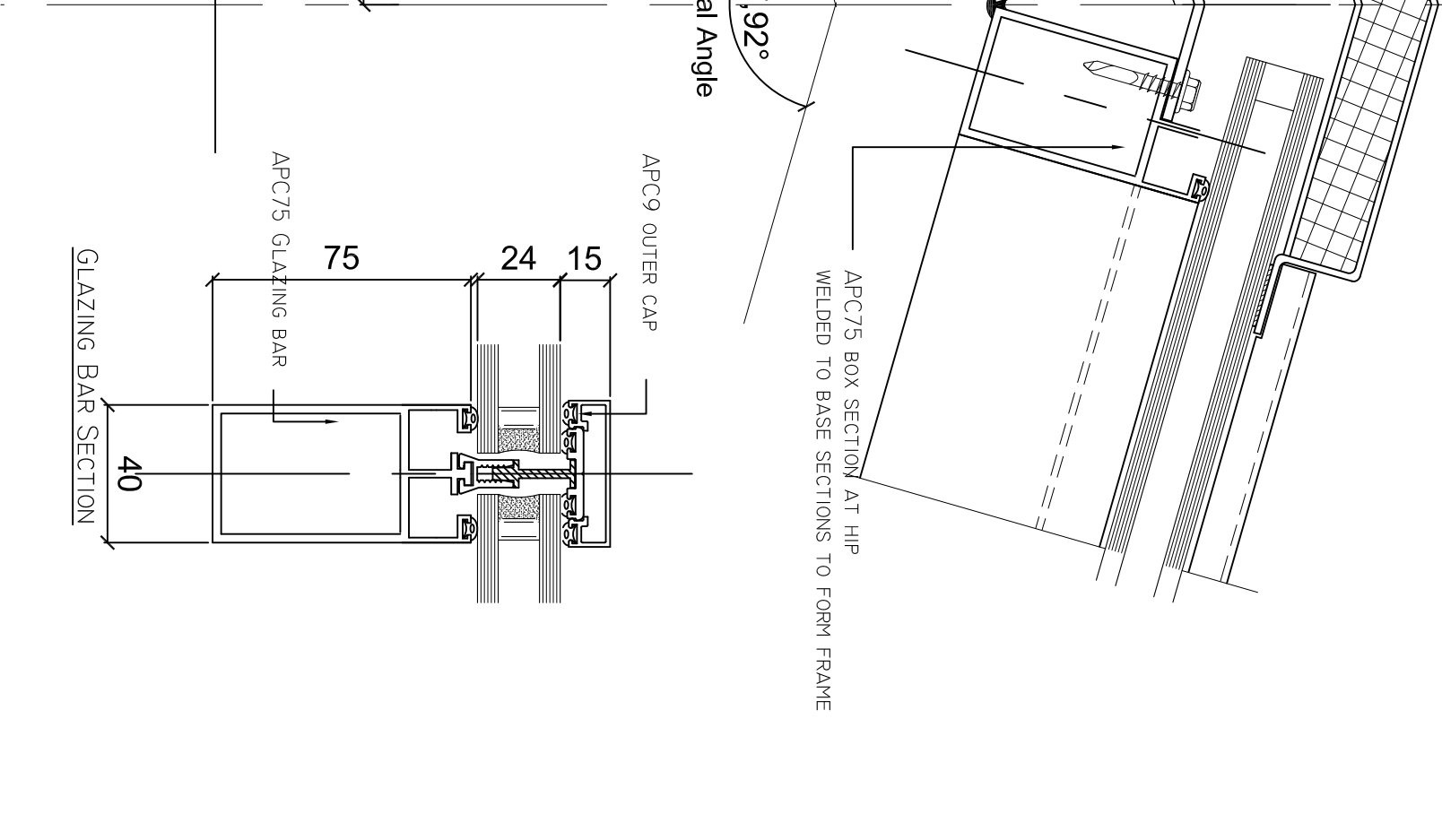


EAVES DETAIL 1



HIP DETAIL 2



2730 O/All Outside Curb Size

STRUCTURAL STABILITY AND SUITABILITY OF UPSTAND CURB TO TAKE LOADS IMPOSED BY PATENT GLAZING IS TO BE THE RESPONSIBILITY OF THE STRUCTURAL ENGINEER

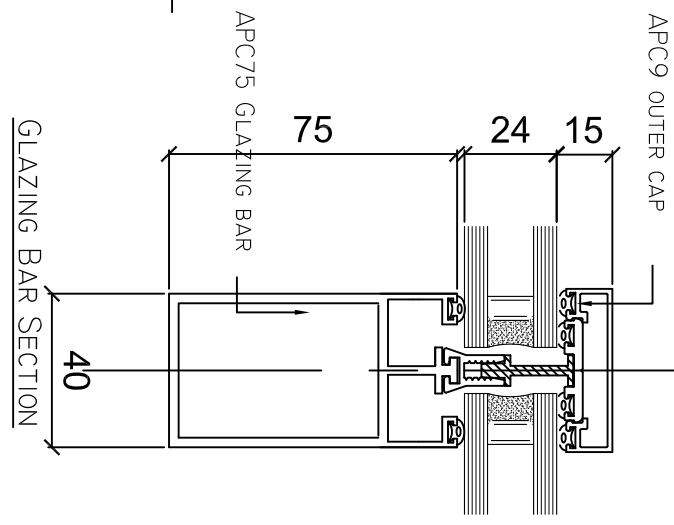
1250 Internal curb to Apex

INTERNAL PLASTER FINISHED BY OTHERS

3MM ALUMINIUM EAVES SECTION MITRED AT CORNERS AND WELDED TO HIP SECTIONS TO FORM FRAME

Dihedral Angle
147,92°

APC75 BOX SECTION AT HIP WELDED TO BASE SECTIONS TO FORM FRAME



SPECIALISED ALUMINIUM FABRICATIONS FOR THE CONSTRUCTION INDUSTRY
 UNIT 9, ALEXANDRA WAY, TEMKESBURY, GLOUCESTERSHIRE GL20 8NB
 TEL: 01684 291555 FAX: 01684 291666
 WWW.ARCHITECTURALPRODUCTS.CO.UK

Project/Client:

Specification:

Title:

Revisions

Date

By

Typical details to a Patent Glazing Pyramid

Scale:

Date:

Drawing No.

Drawn:

Checked: