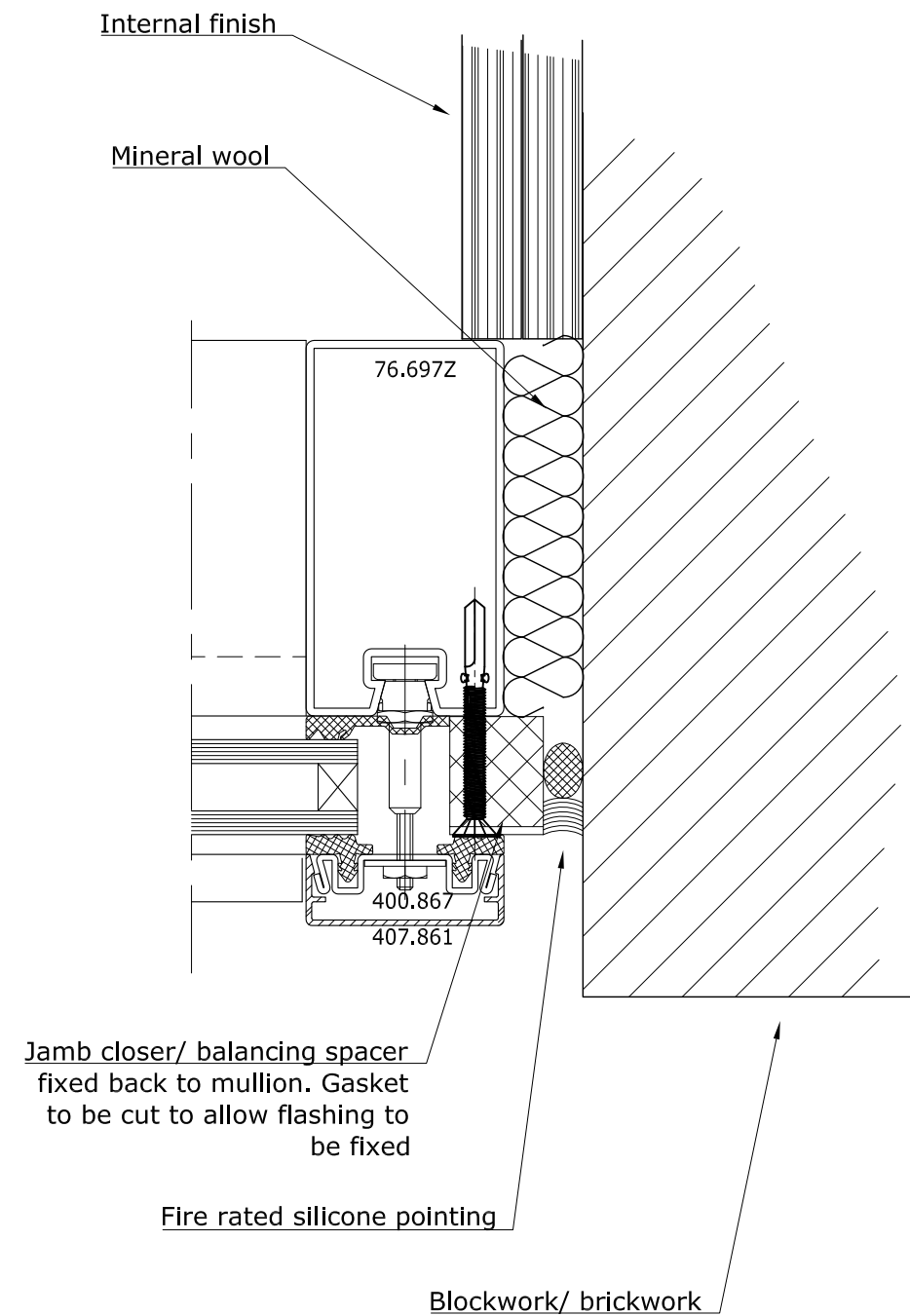
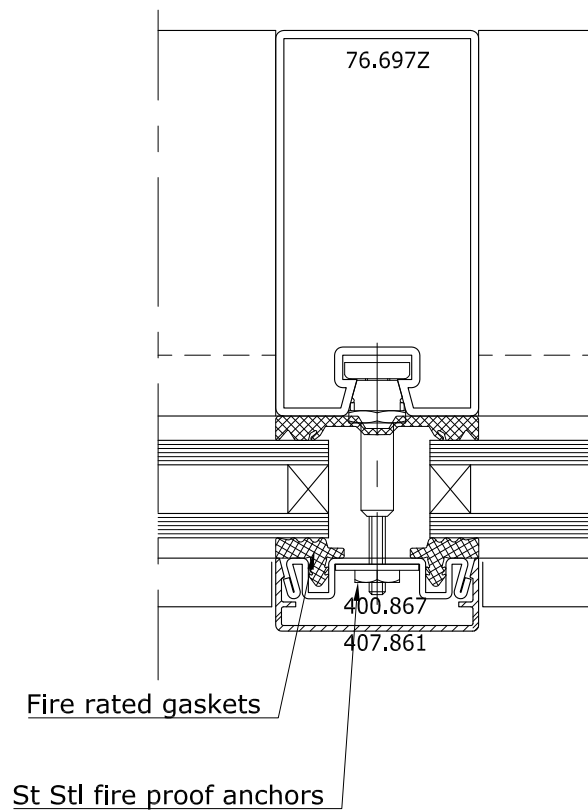
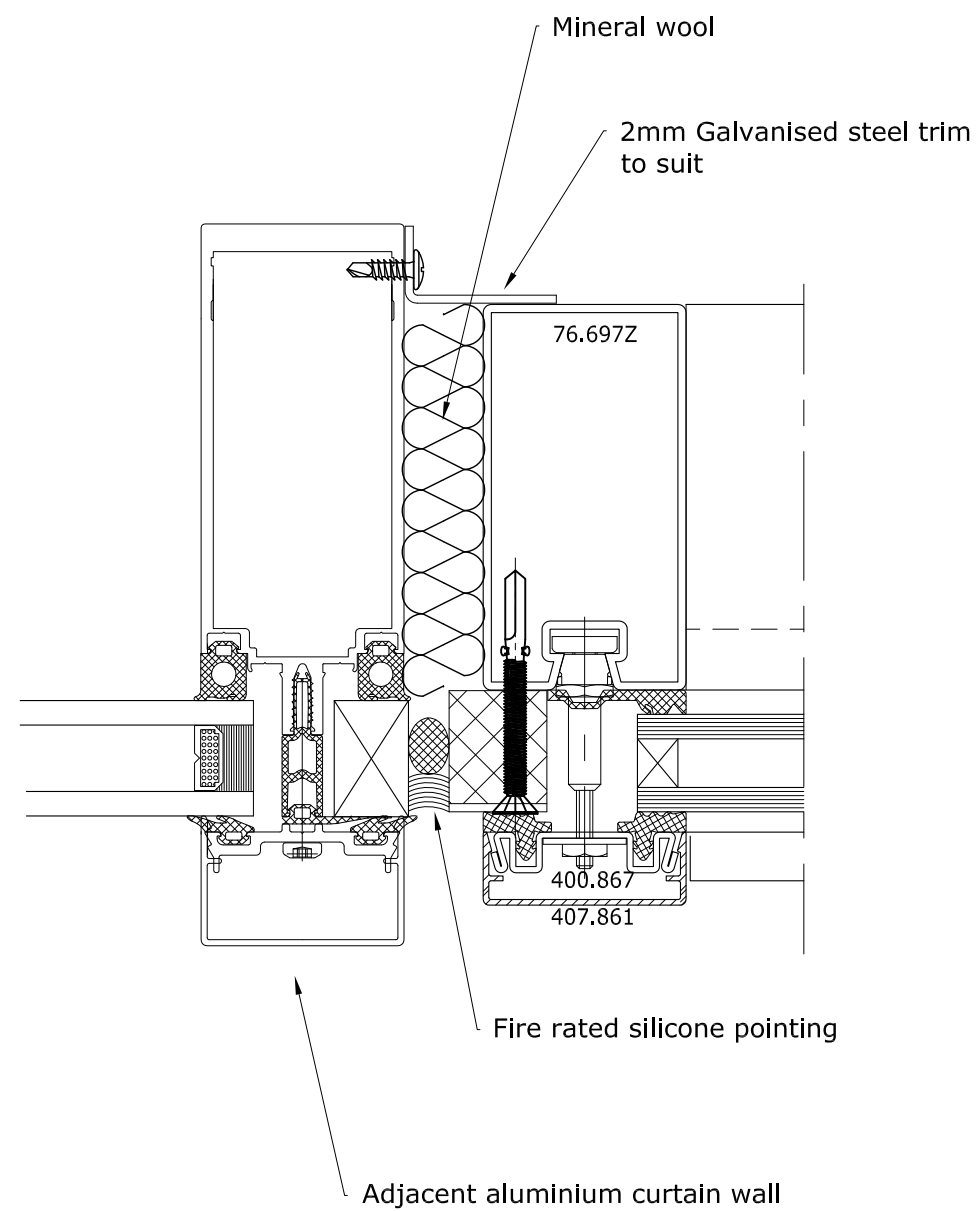


Allowable Tolerance +/-5mm on structural sizes



architectural products limited

specialised aluminium fabrications for the construction industry
 Unit 9, Alexandra Way, Tewkesbury, Gloucestershire GL20 8NB
 Tel: 01684 291555 Fax: 01684 291666
 www.architecturalproducts.co.uk

Project: XXXX		
Client: XXXX		
Revisions	Date	By

Specification: xxx
Glass: xxx
Finish: xx

Title: Schuco/Jansen Viss Profile Jamb abutment detail E60		
Scale: xx	Date: xxx	Drawing No.
Drawn: IJO	Checked:	