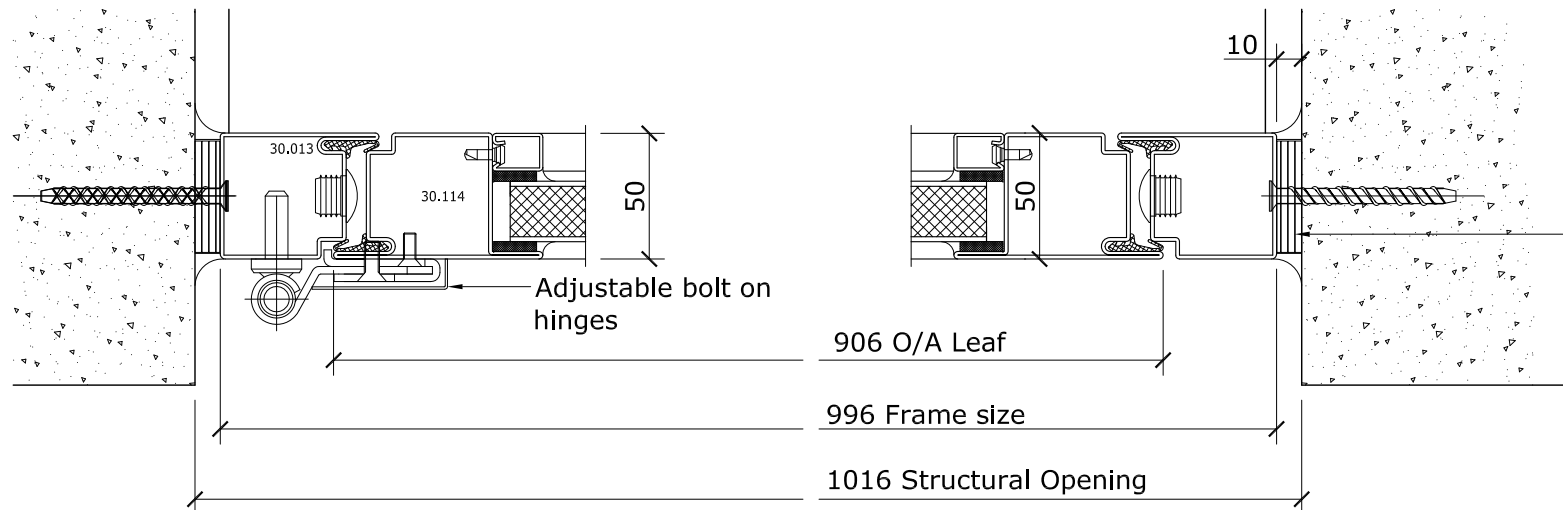


Allowable Tolerance +/-5mm on structural sizes

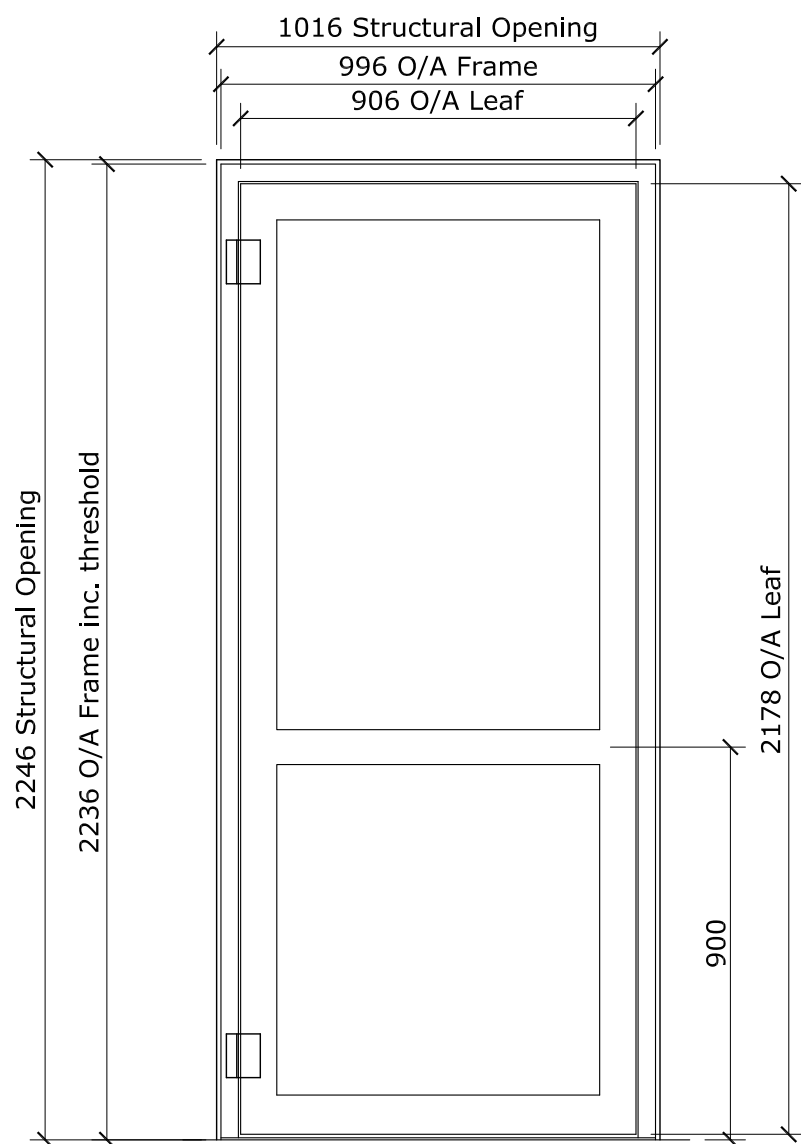
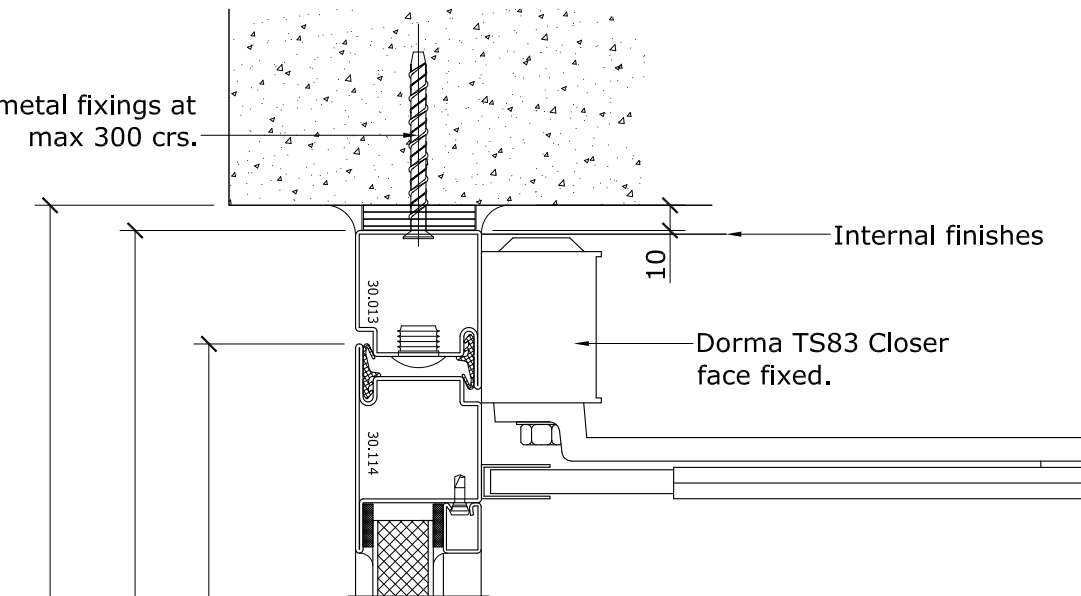


All metal fixings at max 300 crs.

Galv steel packing shims

Internal finishes

Dorma TS83 Closer face fixed.



**Notes**

Glazing to be performed with fire rated tape and silicone capped.

Door to be fixed at 300mm centres maximum, with all metal fixings.

Door to be pointed with fire rated silicone. White or Grey.

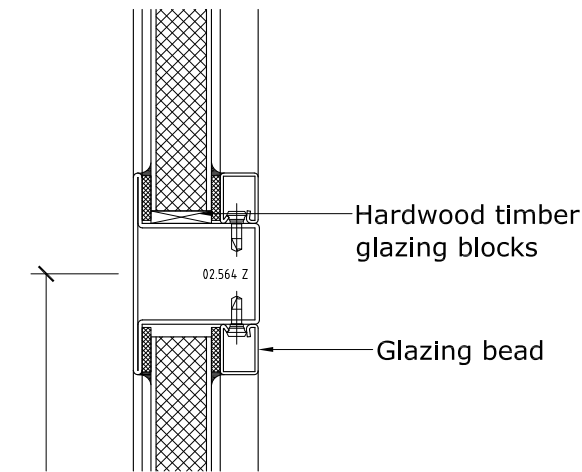
Where required, all packing shims to be from galv. stl.

All details are indicative and dimensions are given as representation only and are not job specific.

2246 Structural Opening

2236 O/A Frame

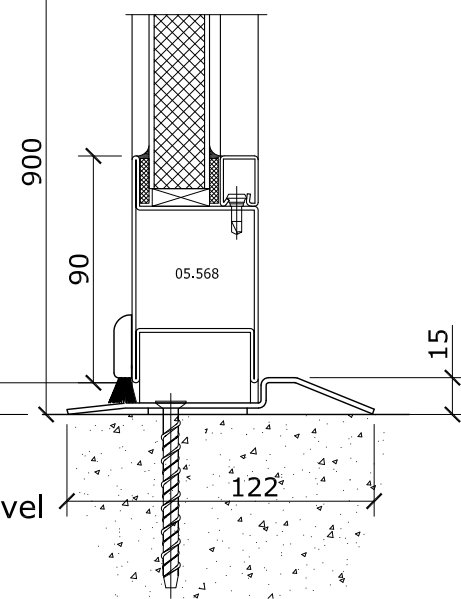
2178 O/A Leaf



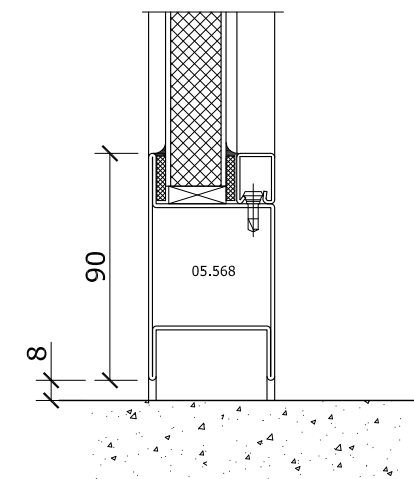
Hardwood timber glazing blocks

Glazing bead

Detail for low level threshold



Detail for no threshold Internal.



specialised aluminium fabrications for the construction industry  
Unit 9, Alexandra Way, Tewkesbury, Gloucestershire GL20 8NB  
Tel: 01684 291555 Fax: 01684 291666  
www.architecturalproducts.co.uk

Project:			
Client:			
Revisions	Date	By	

Specification:
Glass:
Finish:

Title: Fire Rated Door Standard details for direct fix		
Scale: nts	Date: 12.03.09	Drawing No.
Drawn: IJO	Checked:	