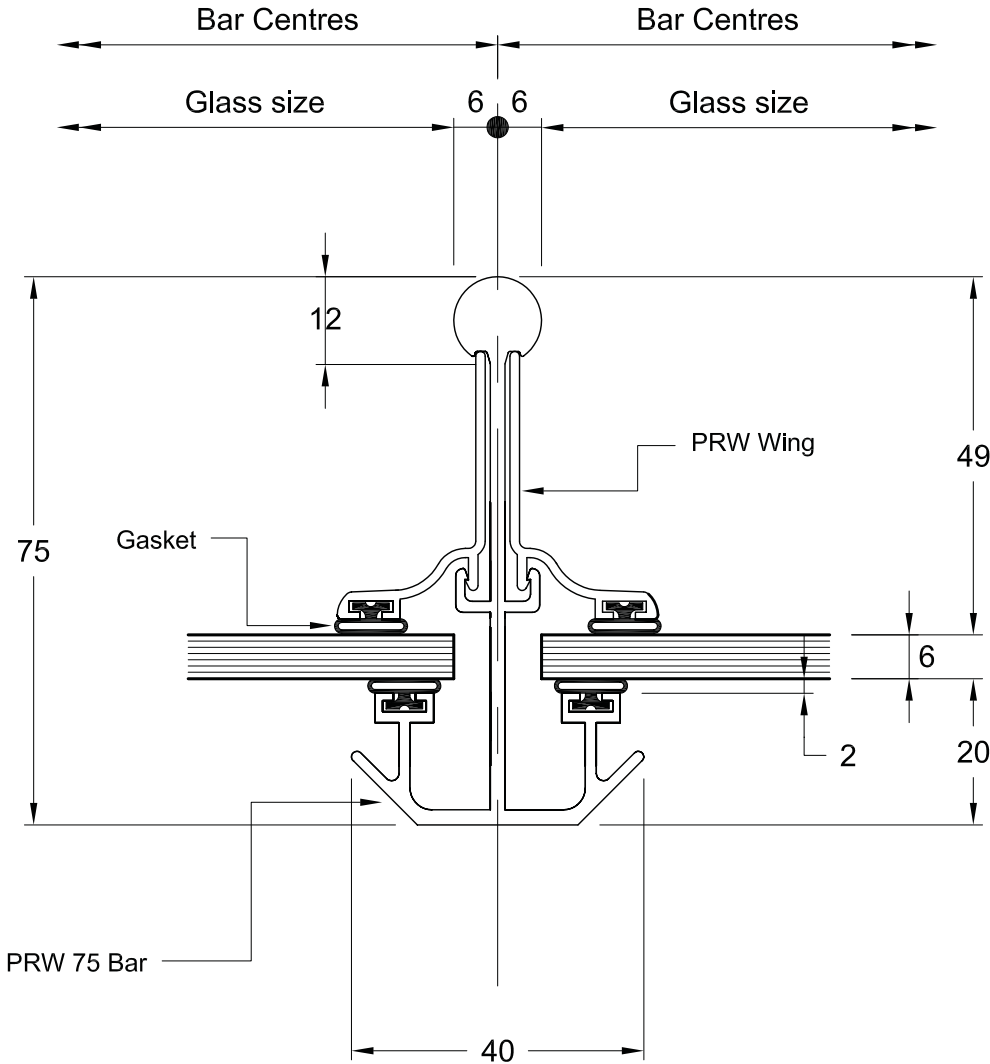


Technical Specification Sheet

product range: PRW
 model: Period Bar Single Glazed

The PRW glazing bar offers a slimline external stalk glazing bar that closely replicates the original lead cloaked patent glazing bars of the early 1900's popularly used on railway stations.

ref no 005/04



Specification

Glazing bars, wings, glass stops and fixing cleats are extruded aluminium alloy 6063-T6 to BS 1474. Fasteners are either stainless steel to BS EN ISO 3506 Grade A2 or mild steel bright zinc plated. Gaskets are extruded from Thermo Plastic Rubber quality to BS 7412.

Performance

This system is designed to conform with the requirements of BS 5516, 1991 when designed and installed to Architectural Products recommendations.

Appearance

Materials are available in mill finish, polyester powder coated to BS 6496 to a range of syntha pulvin or RAL colours or anodized to BS3987.

Infill

All specifications of single glazed 6/7mm safety glass can be used with this type of patent glazed bar.

BAR	DIM	Span*
PRW 75		2500

All Dims In Millimetres

* Between Fixing Points @ 600 Bar Centres

 architectural products limited

specialised aluminium fabrications for the construction industry