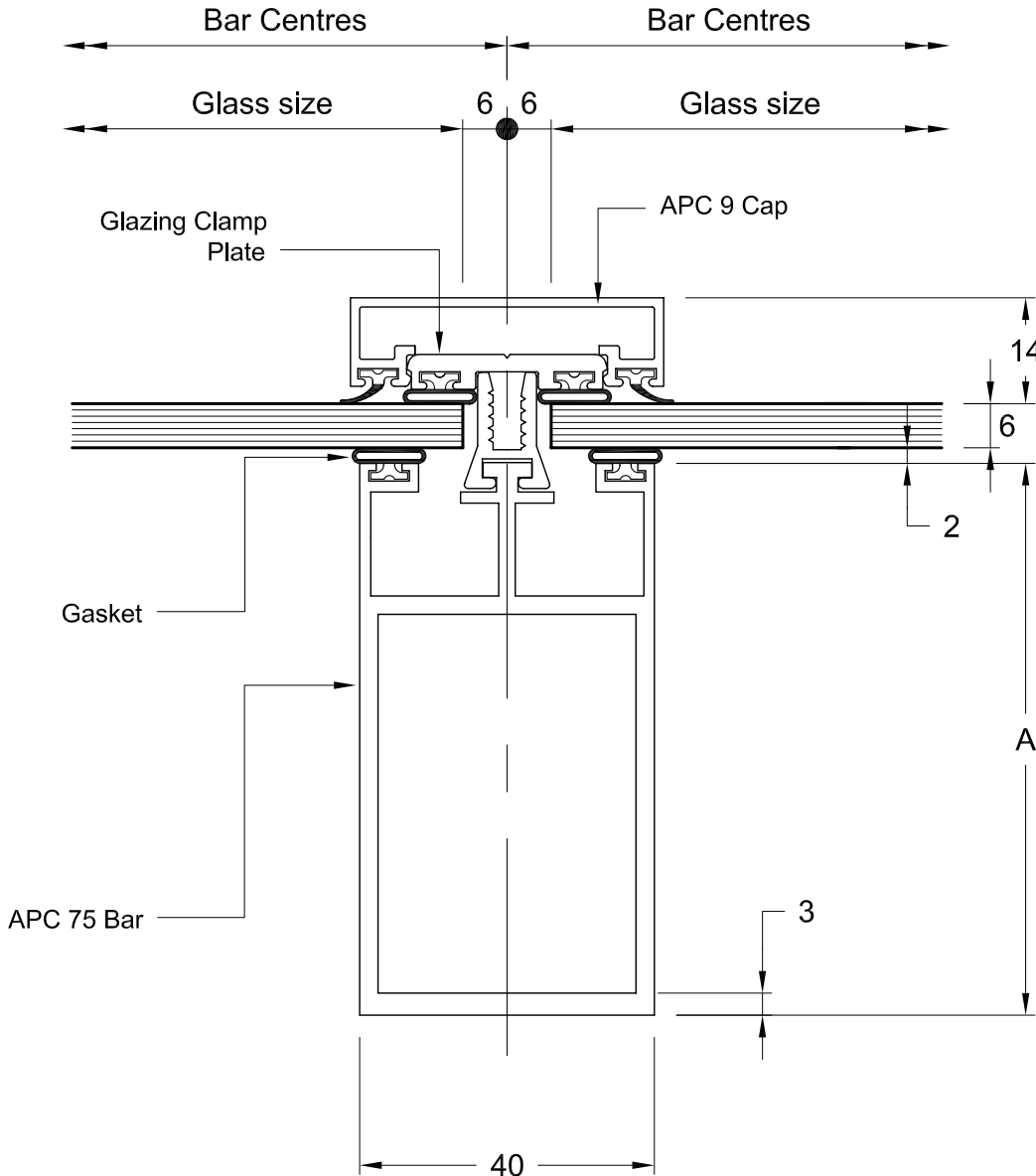


# Technical Specification Sheet

product range: APC40  
 model: Box Bar Single Glazed

The APC40 range offers a selection of slimline box type glazing bars that are suitable for single and double glazed applications with a choice of external decorative cappings. The box bar gives clean elegant sight lines internally and can be used as transoms at glass joint positions.

ref no 004/04



## Specification

Glazing bars, cappings, glass stops and fixing cleats are extruded aluminium alloy 6063-T6 to BS 1474. Fasteners are either stainless steel to BS EN ISO 3506 Grade A2 or mild steel bright zinc plated. Gaskets are extruded from Thermo Plastic Rubber quality to BS 7412.

## Performance

This system is designed to conform with the requirements of BS 5516, 1991 when designed and installed to Architectural Products recommendations.

## Appearance

Materials are available in mill finish, polyester powder coated to BS 6496 to a range of syntha pulvin or RAL colours or Anodized to BS3987.

## Infill

All specifications of single glazed safety glass can be used with this type of patent glazed bar.

BAR	DIM A	Span*
APC 75	75.0	2800
APC 100	100.0	3400
APC 125	125.0	3800

All Dimensions In Millimetres

\* Between Fixing Points @ 600 Bar Centres

**architectural products limited**

specialised aluminium fabrications for the construction industry