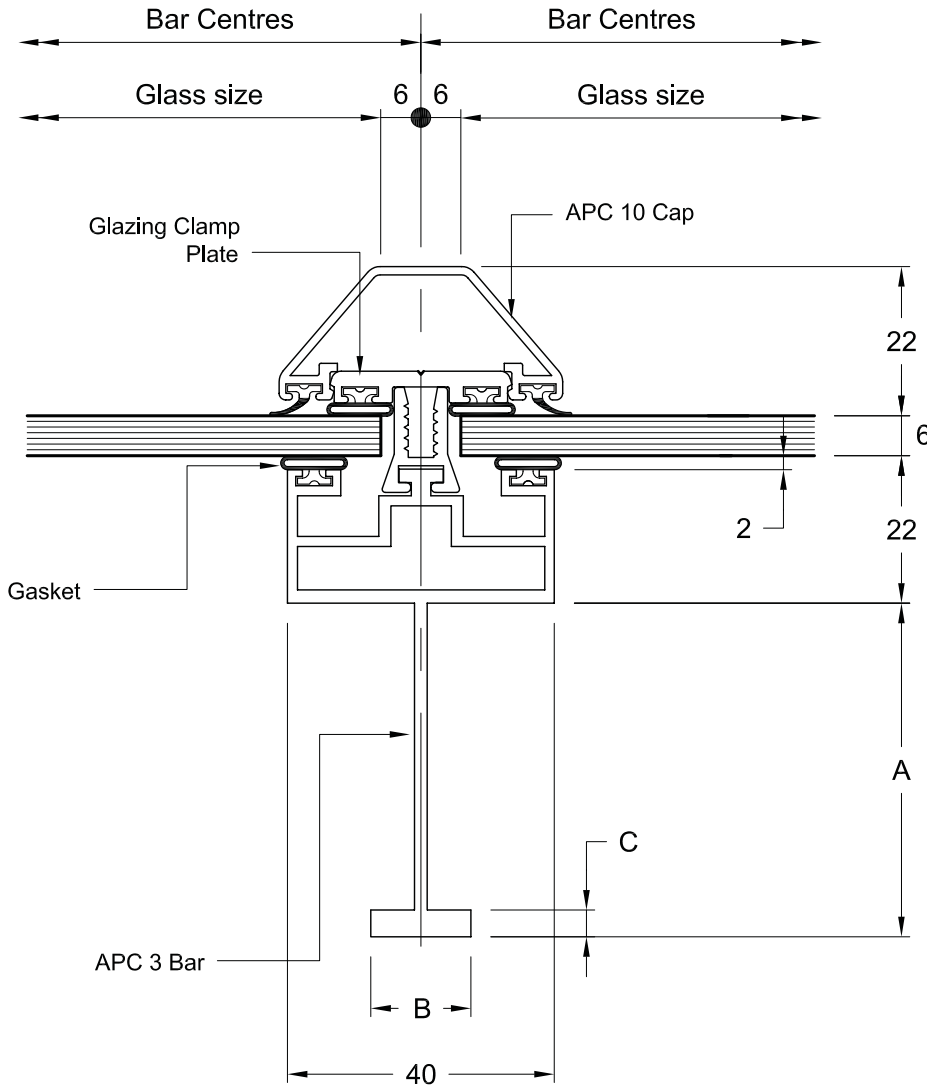


Technical Specification Sheet

product range: APC40
model: Internal Stalk Single Glazed

The APC40 range offers a selection of slimline internal stalk glazing bars that are suitable for single and double glazed applications with a choice of external decorative cappings

ref no 002/04



Specification

Glazing bars, cappings, glass stops and fixing cleats are extruded aluminium alloy 6063-T6 to BS 1474. Fasteners are either stainless steel to BS EN ISO 3506 Grade A2 or mild steel bright zinc plated. Gaskets are extruded from Thermo Plastic Rubber quality to BS 7412.

Performance

This system is designed to conform with the requirements of BS 5516, 1991 when designed and installed to Architectural Products Ltd. recommendations.

Appearance

Materials are available in mill finish, polyester powder coated to BS 6496 to a range of syntha pulvin or RAL colours or anodized to BS3987.

Infill

All specifications of safety glass can be used with this type of patent glazed bar.

DIM BAR	A	B	C	Span*
APC 1	NO STALK			600
APC 2	40.0	10.0	5.0	2000
APC 3	50.0	15.0	4.0	2400
APC 4	55.0	20.0	4.0	2900
APC 5	60.0	20.0	10.0	3600
APC 6	80.0	10.0	20.0	4000

All Dimensions In Millimetres

* Between Fixing Points
@ 600 Bar Centres

 architectural
products limited

specialised aluminium fabrications for the construction industry